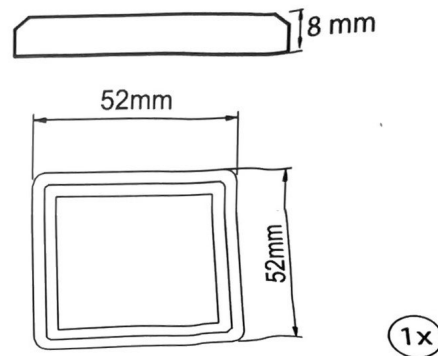


Installation manual DLF-SQ-3K/DLF-SQ-4K Cabinet LED light kit

Product data

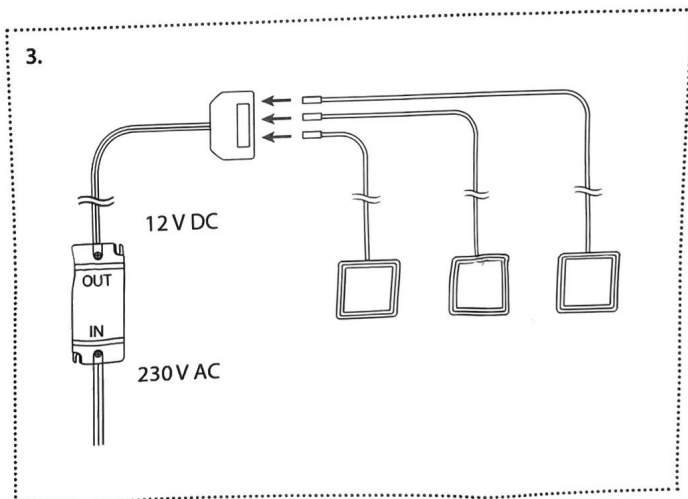
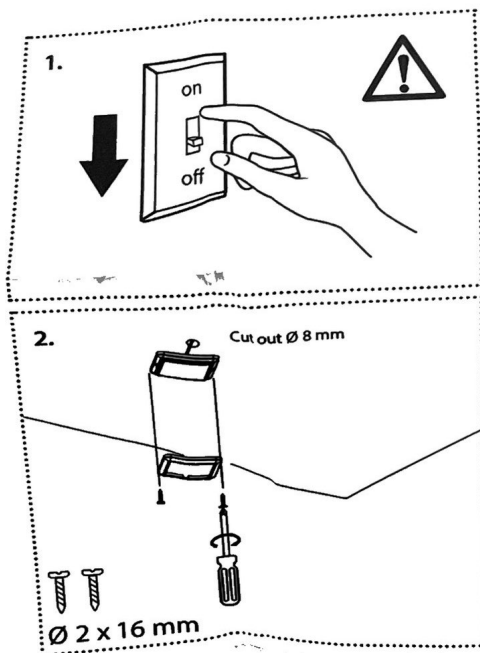
Light (1 pc.)	
Input voltage	12 V DC
Input power	Max.1.6W
Color rendering index	CRI ≥80
Color correlated temperature	3000K/4000 K
Luminous flux	90 lm
Dimensions	52x52 x 8 mm

Dimensions



Installation

1. Prior to installation, make sure that the luminaire is disconnected from the power supply and that the power supply is switched off!
2. Attach the luminaires to the distributor = push the cables with the connectors into the connector (see Fig. 3).
3. Connect the luminaires to the distributor = push the cables with the connectors into the connector (see Fig. 3).
4. Connect the LED driver to your power supply.



- Use the LED Driver and the luminaire only indoors and do not expose them to high humidity (IP20)